

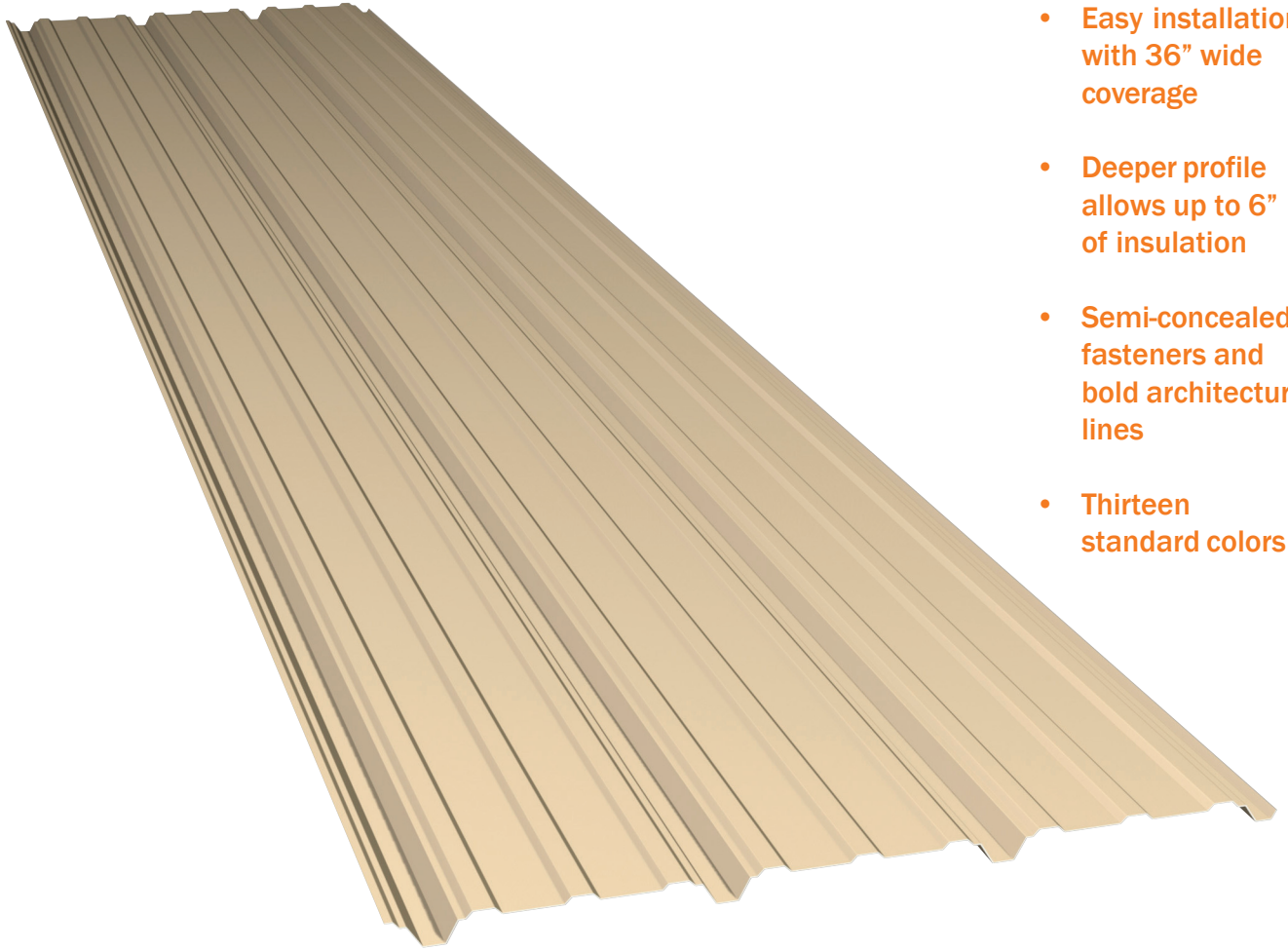
VP WALL PANELS

STYLE

RPR WALL PANEL

FEATURES

AN ECONOMICAL METAL WALL SYSTEM WITH HIGHER THERMAL EFFICIENCY CAPABILITIES



- Easy installation with 36" wide coverage
- Deeper profile allows up to 6" of insulation
- Semi-concealed fasteners and bold architectural lines
- Thirteen standard colors

RPR wall panel is the smart choice for commercial and industrial projects — easy to install and allows up to 6 inches of faced blanket insulation.



AN ATTRACTIVE WALL PANEL WITH BOLD ARCHITECTURAL LINES AND SHADOW- RECESSED FASTENERS

RPR WALL PANEL

RPR panel is an attractive, high quality, low maintenance panel based on a "reverse rolled" version of VP's standard Panel Rib design.

RPR is a 36" wide panel with a 1-1/4" rib profile. Available in lengths of up to 41', RPR can provide continuous coverage from foundation to eave eliminating the need for end laps and assuring superior weather tightness. Panels come standard in sturdy 26 gauge steel or in 24 and 22 gauge options.

RPR panel's deeper profile accommodate up to 6" of faced blanket insulation or up to 2-1/2" of rigid board, creating a more thermal efficient building envelope.

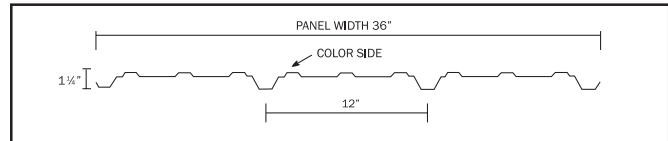
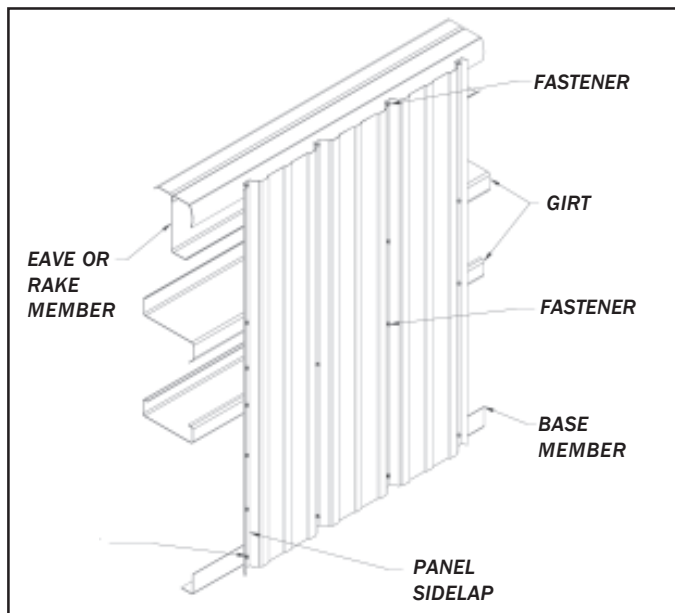
Available in either VP's long-life KXL finish with 70% PVDF (Kynar 500 or Hylar 5000) or economical SP, siliconized polyester finish, RPR panel offers a choice of 13 attractive colors.

RPR's recessed fastener locations give the panel a semi-concealed profile with bold architectural lines. RPR comes with a complete trim package including gutter and rake trim, corners and base trim to provide an attractive finished appearance. VP also offers a full line of high quality accessories including doors and windows designed to give years of trouble-free service.



FEATURES

- 36" coverage
- Lengths up to 41' which can provide a continuous panel from eave to foundation.
- 26 or 24 gauge painted Galvalume® steel
- Fast installation
- Economical



NOTE: ALL PANELS FORMED FROM LIGHT GAUGE METAL MAY EXHIBIT WAVINESS, ALSO KNOWN AS "OIL CANNING," COMMONLY OCCURRING IN, BUT NOT RESTRICTED TO, FLAT PORTIONS OF A PANEL. THIS INHERENT CHARACTERISTIC IS NOT A DEFECT OF MATERIAL OR MANUFACTURING AND IS NOT CAUSE FOR REJECTION.



The Ultimate Building Solution
VP Buildings
3200 Players Club Circle
Memphis, TN 38125
1-800-238-3246 • vp.com
2059 Issued 11/05

