

VP WALL SYSTEMS

STYLE

VEE RIB PANEL

FEATURES

AN ECONOMICAL PANEL WITH DISTINCT SCULPTURED APPEARANCE AND SEMI-CONCEALED FASTENERS.



- Surface is embossed for aesthetics
- Fast installation with semi-concealed, self-drilling color matched fasteners
- Lengths up to 41' which can provide a continuous panel from eave to foundation

Vee Rib panels have recessed V-grooves for a sculptured appearance. Fasteners are placed at the bottom of the “V” and the three foot wide panels means total fastener count is held to a minimum for an enhanced appearance.



THE SCULPTURED LOOK OF VEE RIB CAN ADD VISUAL INTEREST TO ANY BUILDING

VEE RIB WALL PANEL

Vee Rib is an economical wall system with a distinct sculptured look. This wall system can provide a more economical approach than concrete, masonry or even wood alternatives.

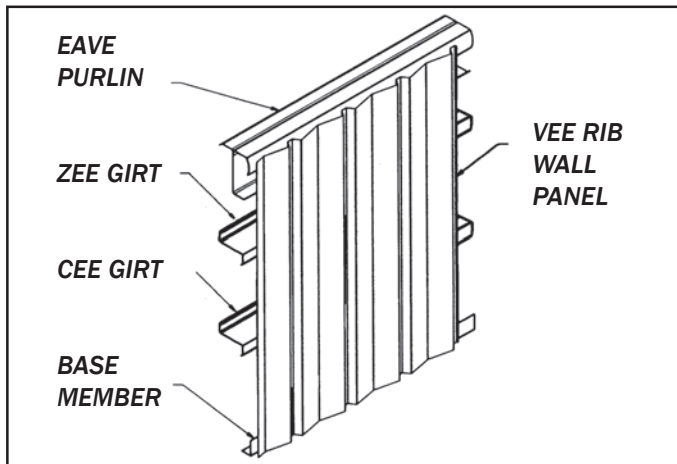
Vee Rib wall panels are standard 26 gauge Galvalume® steel with 24 or 22 gauge options. The panel is 36" wide with a V-groove pattern creating 1-1/4" reveals. It is available in lengths up to 41' which can provide a continuous panel from foundation to eave. This can eliminate the need for endlaps and assures you of wall integrity and weathertightness.

Vee Rib also comes with special base trim for the foundation to assure a weathertight seal. Vee Rib panels are attached with self-drilling, color matched fasteners that are semi-concealed in the bottom of the V-groove. The panel's surface is embossed for increased aesthetics and to reduce glare.

Vee Rib can effectively utilize up to 6" of blank insulation as well as up to 2-1/2" of rigid board insulation. Therefore, your VP Builder can assist you in selecting the optimal insulation approach, considering up-front costs and long term energy savings.

All gauges of Vee Rib are available with standard KXL finish in standard colors and SP finishes. The KXL paint system is a PVDF finish applied to the Galvalume® surface to give a long-life color that resists fading and chalking. KXL is a 1 mil nom. PVDF finish with 70% Kynar® 500 or Hylar® 5000 standard. SP paint finish is a 1 mil. thermoset siliconized polyester coating system.

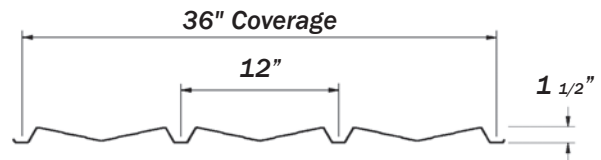
For information about this or any other VP product or service, contact your local authorized VP Builder.



FEATURES

- Fasteners hidden in reveals
- Sculptured appearance
- Lengths up to 41'-0"
- 36" Coverage
- Fast installation
- 1 1/4" deep reveals

VEE RIB CROSS SECTION



NOTE: ALL PANELS FORMED FROM LIGHT GAUGE METAL MAY EXHIBIT WAVINESS, ALSO KNOWN AS "OIL CANNING," COMMONLY OCCURRING IN, BUT NOT RESTRICTED TO, FLAT PORTIONS OF A PANEL. THIS INHERENT CHARACTERISTIC IS NOT A DEFECT OF MATERIAL OR MANUFACTURING AND IS NOT CAUSE FOR REJECTION.



The Ultimate Building Solution
VP Buildings
3200 Players Club Circle
Memphis, TN 38125
1-800-238-3246 • vp.com
2058 Revised 11/05

