

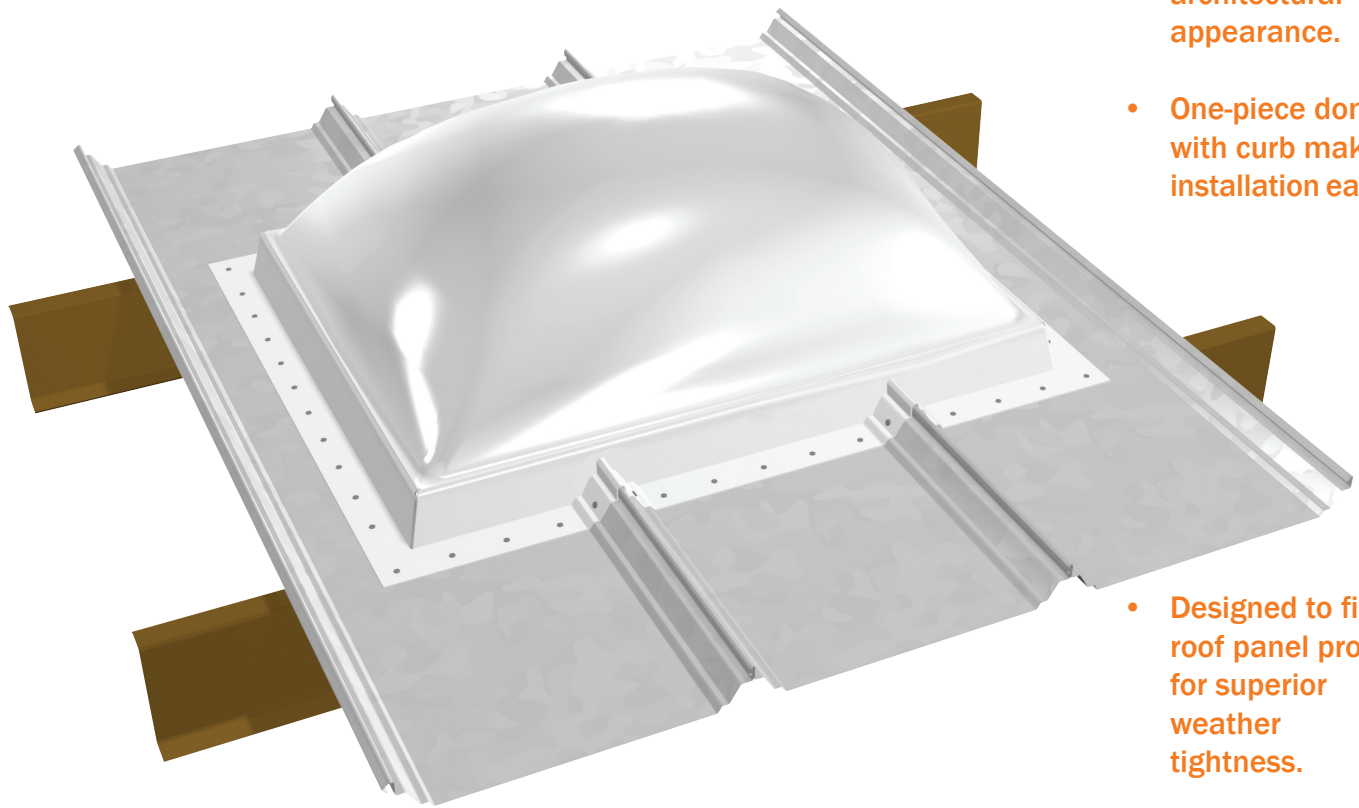
VP DAYLIGHTING

STYLE

TUF-DOME

FEATURES

A MULTI-FEATURED OPTION ALLOWING NATURAL INTERIOR LIGHTING



- Raised dome design for attractive architectural appearance.
- One-piece dome with curb makes installation easy.
- Designed to fit roof panel profile for superior weather tightness.
- High side is curved to divert water flow

Tuf-Dome's unique design allows additional interior lighting while reducing energy and artificial lighting costs. Ideal for warehouse, manufacturing, retail facilities or any project where interior natural lighting is desired.



TUF-DOME PROVIDES AN EFFECTIVE SOLUTION TO ALLOW NATURAL LIGHTING IN YOUR VP BUILDING.

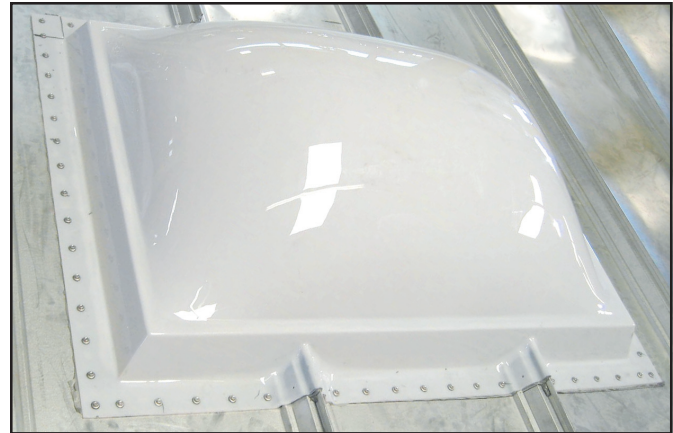
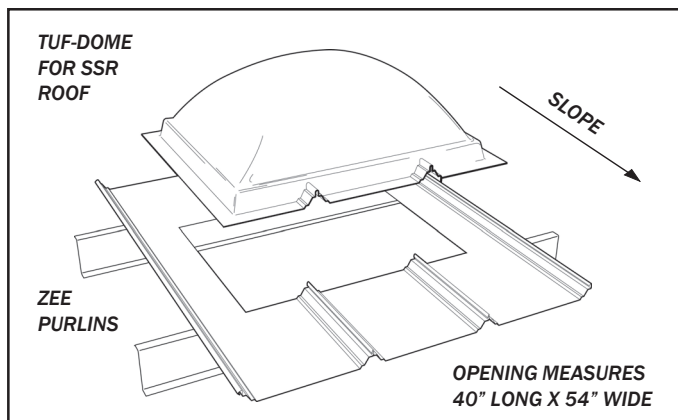
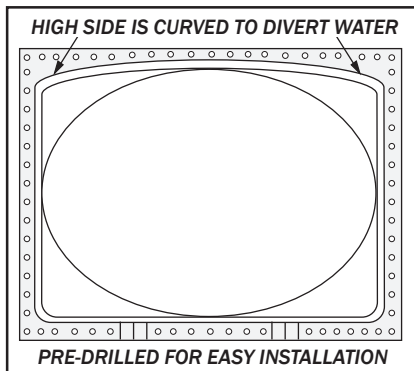
TUF-DOME

Tuf-Dome is made from sturdy polycarbonate material, designed to withstand the elements and provide years of trouble-free natural lighting. The superior clarity of the material allows for a higher level of natural light transmission and resists yellowing, cracking or fading.

Also, Tuf-Dome has been tested to withstand high winds, hail, ice or other weather conditions. The dome design is strong enough to support up to a 300 pound load.

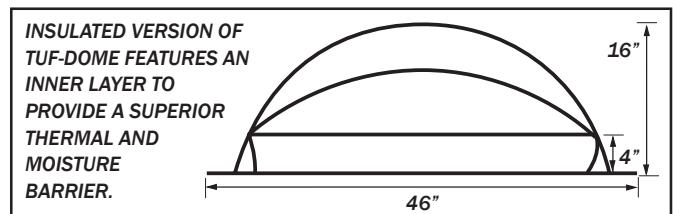
In addition to its superior strength and light transmission qualities, VP's Tuf-Dome has a unique one-piece design which includes the curb. The design simplifies installation and fits the roof panel profile for a superior weather tight seal. Tuf-Dome is available in insulated and non-insulated models.

Tuf-Dome comes complete with support framing and fasteners. Tuf-Dome, when installed over SSR, will allow for thermal movement in the roof. These skylights can be installed as part of new construction or retrofitted on an existing roof. For additional security, Tuf-Dome can be used in conjunction with burglar bars. Overall dimensions are 46" Lx60"Wx16"H with an opening that measures 40" Lx 54"W. The curved upper edge acts as a built-in water diverter. Product testing data is available upon request.



FEATURES

- Durable polycarbonate composition
- Available as insulated or non-insulated
- No additional curb required
- Supports up to 300 lbs.
- High side is curved to divert water
- Natural lighting saves energy



The Ultimate Building Solution
 VP Buildings
 3200 Players Club Circle
 Memphis, TN 38125
 1-800-238-3246 • www.vp.com
 2094 Revised 1/06

